

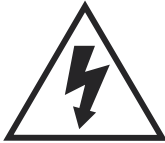


RELAY G10

PILOT'S GUIDE ►

MANUEL DE PILOTAGE
PILOTENHANDBUCH
MANUAL DEL PILOTO
パイロット・ガイド
新手指南

Important Safety Instructions



CAUTION
RISK OF ELECTRIC SHOCK
DO NOT OPEN



WARNING : TO REDUCE THE RISK OF FIRE OR ELECTRIC SHOCK, DO NOT REMOVE SCREWS. NO USER-SERVICEABLE PARTS INSIDE. REFER SERVICING TO QUALIFIED SERVICE PERSONNEL.

WARNING : TO REDUCE THE RISK OF FIRE OR ELECTRIC SHOCK, DO NOT EXPOSE THE APPLIANCE TO RAIN OR MOISTURE.

Radio Approvals: FCC Part 15.247, FCC Part 15 B, RSS-210 (Canada), EN 300 400 (Europe), EN 301.489 (Europe), Japan Radio 2.4GHz Band (Japan), VCCI Digital Device Class B (Japan), CISPR 22 (Australia and New Zealand).

Certified under FCC Part 15.

The CE declaration of Conformity can be obtained at <http://line6.com/compliance/>

CERTIFICATION

THIS DEVICE COMPLIES WITH PART 15 OF THE FCC RULES. OPERATION IS SUBJECT TO THE FOLLOWING TWO CONDITIONS: (1) THIS DEVICE MAY NOT CAUSE HARMFUL INTERFERENCE, AND (2) THIS DEVICE MUST ACCEPT ANY INTERFERENCE RECEIVED, INCLUDING INTERFERENCE THAT MAY CAUSE UNDESIREED OPERATION.

Warning: Changes or modifications not expressly approved in writing by Line 6 may void the users authority to operate this equipment.

RF Exposure Statement: This transmitter must not be co-located or operated in conjunction with any other antenna or transmitter.

Note: This equipment has been tested and found to comply with the limits for a Class B digital device, pursuant to part 15 of the FCC Rules. These limits are designed to provide reasonable protection against harmful interference in a residential installation. This equipment generates, uses and can radiate radio frequency energy and, if not installed and used in accordance with the instructions, may cause harmful interference to radio communications. However, there is no guarantee that interference will not occur in a particular installation. If this equipment does cause harmful interference to radio or television reception, which can be determined by turning the equipment off and on, the user is encouraged to try to correct the interference by one or more of the following measures:

- Reorient or relocate the receiving antenna.
- Increase the separation between the equipment and receiver.
- Connect the equipment into an outlet on a circuit different from that to which the receiver is connected.
- Consult the dealer or an experienced radio/TV technician for help.

This Class B digital apparatus complies with Canadian ICES-003.

Cet appareil numérique de la classe B est conforme a la norme NMB-003 du Canada.

SERIAL NO: _____



You should read these Important Safety Instructions. Keep these instructions in a safe place



Before using your Relay G10/G10T Digital Wireless System, carefully read the applicable items of these operating instructions and the safety suggestions.

1. Obey all warnings in the Relay G10 manual.
2. Do not perform service operations beyond those described in the Relay G10 Manual. Service is required when the apparatus has been damaged in any way, such as:
 - Liquid has been spilled or objects have fallen into the apparatus
 - The unit has been exposed to rain or moisture
 - The unit does not operate normally or changes in performance in a significant way
 - The unit is dropped or the enclosure is damaged
3. Do not place near heat sources, such as radiators, heat registers, or appliances which produce heat.
4. Guard against objects or liquids entering the device. Do not use or place unit near water.
5. Do not step on cords. Do not place items on top of cords so that they are pinched or leaned on. Pay particular attention to the cord at the plug end and the point where it connects to the device.
6. Clean only with a damp cloth.
7. Only use attachments/accessories specified by the manufacturer.
8. Prolonged listening at high volume levels may cause irreparable hearing loss and/or damage. Always be sure to practice “safe listening.”

System Overview

- Best in class sound quality provided by:
 - 24-bit uncompressed digital transmission
 - Best in class DAC and ADC provide super low noise transmission (better than 110dB dynamic range)
- Easy to use- no setup required
- Automatically picks the best channel for true playing freedom
- Up to 8 hours of playing time per charge

2.4GHz Wireless

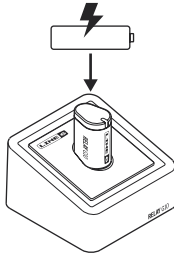
Since the G10 is a 2.4GHz wireless system, please avoid placing the receiver next to other RF transmitting equipment. We recommend that you install the G10 Receiver at least 3 meters (10 ft) away from RF transmitters, i.e. Wi-Fi routers.

The G10 system automatically selects the best channel when the transmitter is docked in the receiver. After changing WiFi or other 2.4GHz wireless channels, please dock the transmitter in the receiver for at least 10 seconds. The white LED on the receiver indicates a channel change by flashing three times.

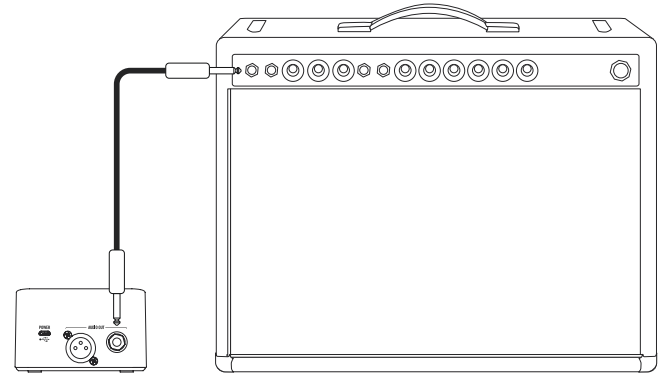
What's in the box:

- Relay G10T Guitar Transmitter
- Relay G10R Receiver
- USB-A to Micro-USB cable
- Universal USB Power Supply (5V-1A) kit with international AC adapter kit.
- Quick Start Manual, Warranty and End User License Agreement

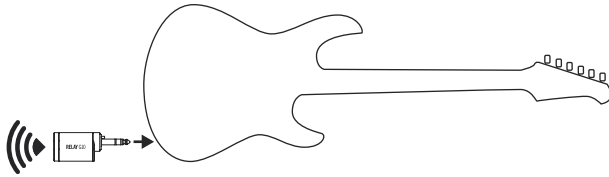
Getting Started



1. **Plug the transmitter into the receiver.** This allows the battery to charge. A green steady LED indicates that the transmitter is fully charged. While docked, the transmitter and the receiver automatically set themselves to the best channel.



3. **Plug the receiver into an amp or FX unit.**

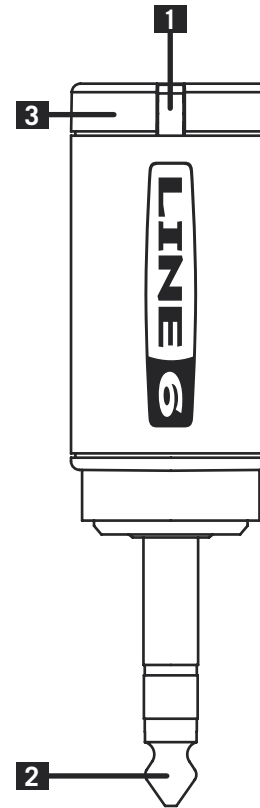


2. **Plug the transmitter into a guitar.**

Transmitter Details

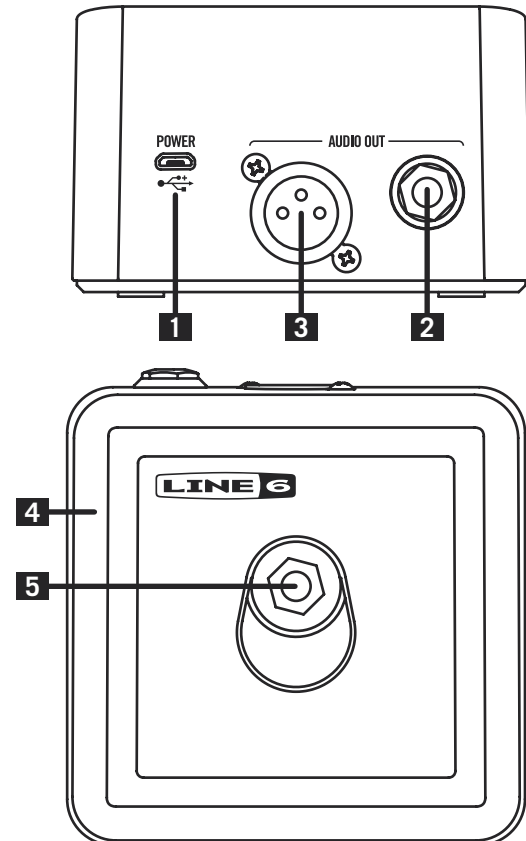
- 1. Battery Status** – This LED illuminates green when the transmitter is powered on, and more than 30 minutes of operating time remain. The LED flashes red when less than 30 minutes of operating time remain.

When the transmitter is plugged into the receiver for charging, a flashing red LED indicates less than 30 minutes of battery operation, a flashing green LED indicates more than 30 minutes of battery operation and a steady green LED indicates a fully charged transmitter.
- 2. Guitar Plug** – Plug into guitar.
- 3. Antenna** – The calibrated internal antenna avoids damage or deformity in normal use. Avoid covering the antenna with metallic fabrics or accessories, and avoid direct contact with parts of the performer's body for best results.
- 4. Sleep Mode** – Sleep mode is activated after 4 minutes without any audio input to extend the battery life. The transmitter “wakes up” automatically when the instrument is played.



Receiver Details

1. **Micro USB** – Use for primary DC (5VDC /1A) power and for firmware updates.
2. **Output A** – ¼" unbalanced, full performance output intended to drive a guitar/bass amplifier, stomp box or multi-effects input.
3. **Output B** – XLR balanced, full performance output intended to connect to a mixing console, PA system, audio interface or similar.
4. **LED Halo** – Multicolor LED halo displays status for transmitter battery and radio. The halo illuminates white when receiving a good radio signal from a G10T transmitter. The halo pulses red when the transmitter's battery is below 30 minutes of operating time. A white pulsing halo indicates that no signal from a G10T transmitter is received.
5. **Transmitter Input** – Plug in the transmitter here for charging and channel selection.



IC- 6768A-G10T
Canada 310



Line 6, Inc.:
26580 Agoura Road,
Calabasas, CA 91302-1921 USA

Line 6 and Relay are trademarks of Line 6, Inc.
registered in the U.S. and other countries.

U.S. Patent Numbers 8,098,830
and 8,509,692 other patents pending.